

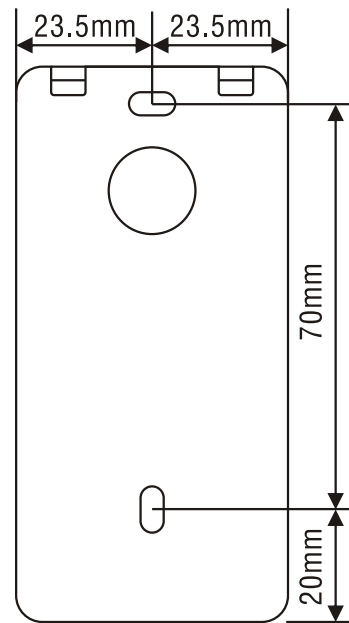
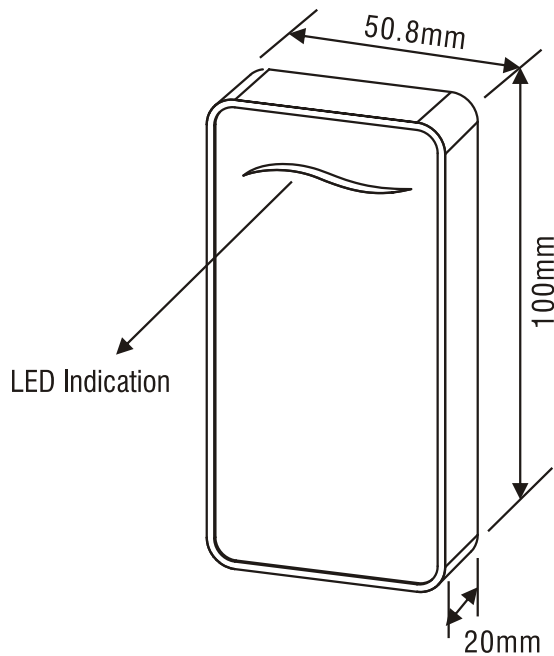
A. Package Content

■ Reader, Installation manual

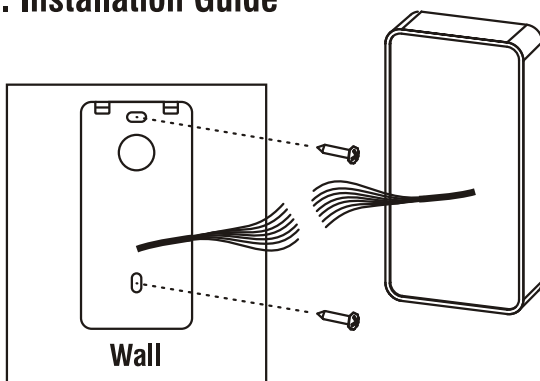
Accessory kit: Anchor Screw x 2, Anchor x 2, Screwdriver x 1, Screw x 2

■ Specification

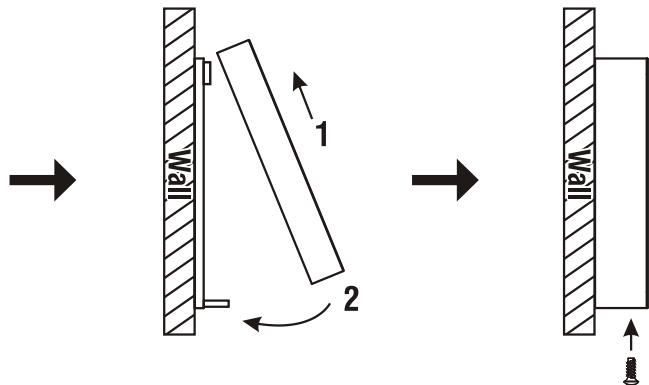
- Dimension : 100 x 50.8 x 20 mm
- Voltage range : DC 9 ~ 24V
- Current : Max 150mA (DC 12V)
- Wiegand range : up to 100M
- RS485 range : up to 1KM
- LED : Triple color (Red/ Green/ Blue)
- Communication :
 - WG 26/ 34/ 66
 - RS485 OSDP V1/ V2
- Tamper Alarm
- Working temperature : - 20 °C ~ 70 °C
- Recommend shielded cable



B. Installation Guide



Install back case on the wall and connect cable



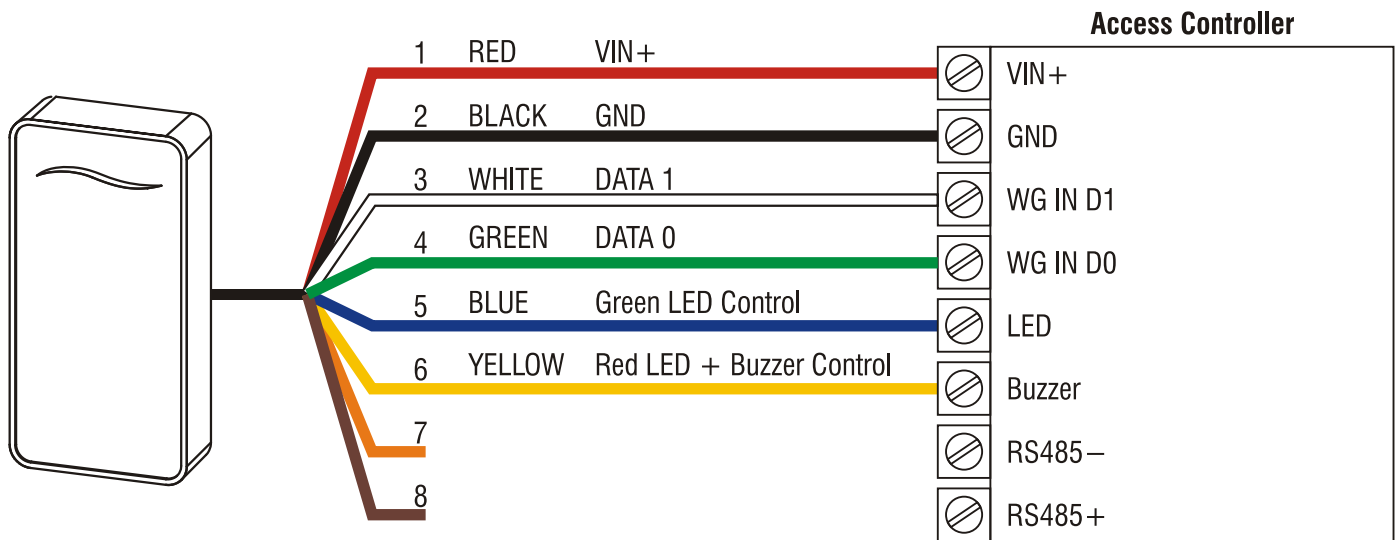
Install reader : clip top side first then press down ⚙️ Fasten torx screw

C. Cable Instruction

NO.	Color	Function	Description
1	RED	VIN+ (Power Positive)	DC 9~24V Input
2	BLACK	GND (Power Negative)	
3	WHITE	DATA 1	Wiegand Data 1 Output
4	GREEN	DATA 0	Wiegand Data 0 Output
5	BLUE	Green LED Control	Grounding to work
6	YELLOW	Red LED+Buzzer Control	Grounding to work
7	ORANGE	RS485-	OSDP V1/ V2 Communication
8	BROWN	RS485+	

D. Connection Example

• WG Communication



• OSDP Communication

